



Unpack the Printer

- Please confirm the included items against the illustration printed on the lid of the packing box.
- A USB cable is necessary to connect the printer with your computer.

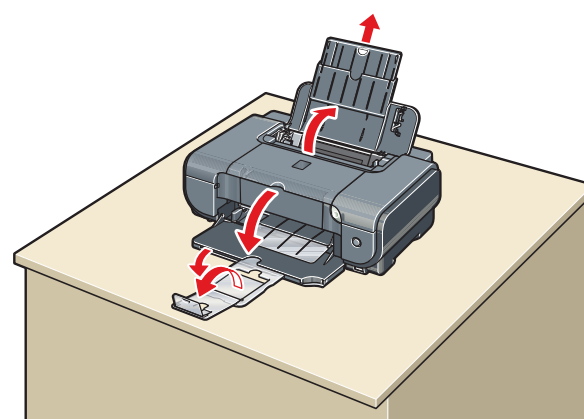
QT5-0406-V01

1 Prepare the Printer

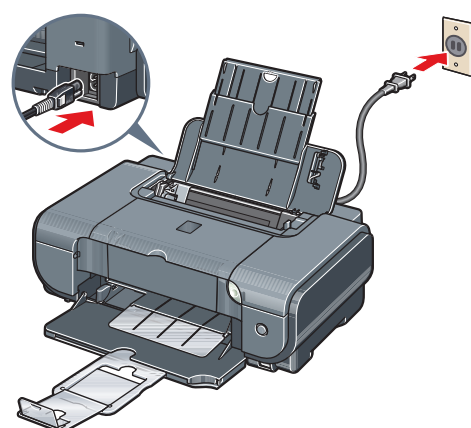
1 Place the printer on a flat and horizontal surface, and do not place any objects in front of the printer. Open the Sheet Feeder Cover and pull out the Paper Support. Open the Front Feeder and extend the Output Paper Support.

Caution
Before turning on the printer, remove all of the shipping tapes.

Important
Do not connect the USB cable until after the software is installed.

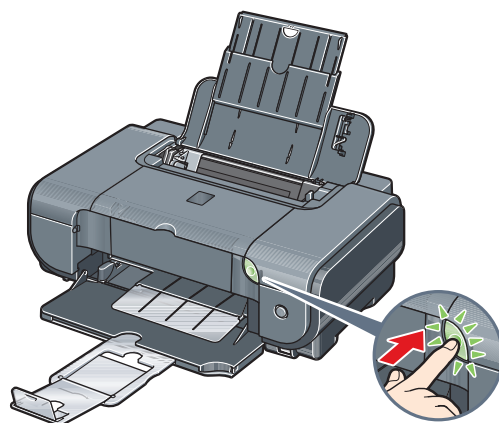


2 Plug the power cord in the back of the printer and connect the other end to the wall outlet.

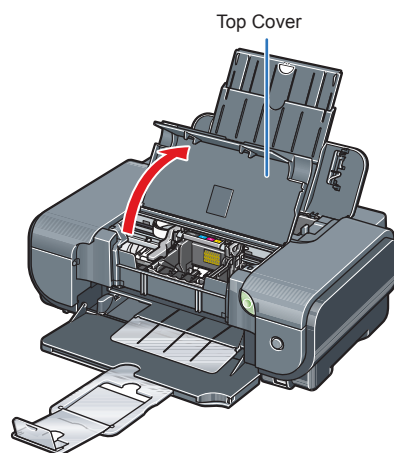


Important
Plug the power cord all the way in, since it may be difficult to plug.

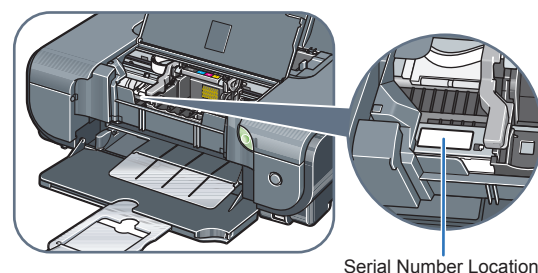
3 Press the **POWER** button to turn on the printer.



4 Open the Top Cover. The Print Head Holder moves to the center.

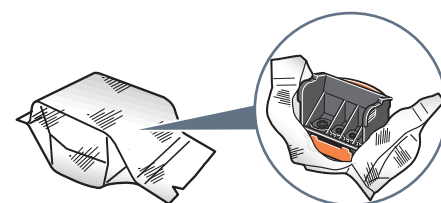


5 Write down the serial number located inside the printer. You will need this to register your product.



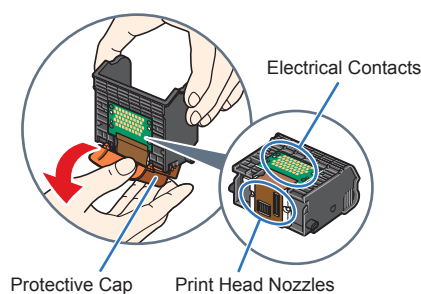
2 Install the Print Head

1 Remove the Print Head from its package.



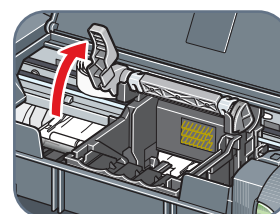
Caution
There may be some transparent or light blue ink on the inside of the bag the print head comes in, or the inside of the protective cap - this has no effect on print quality. Be careful not to get ink on yourself when handling these items.

2 Remove the orange protective cap from the Print Head and discard it.

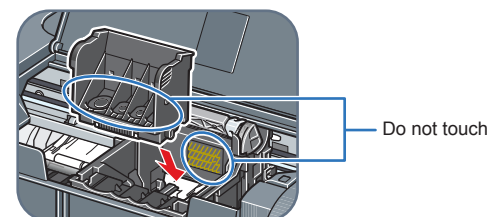


Note
Do not touch the print head nozzles and the electrical contacts.

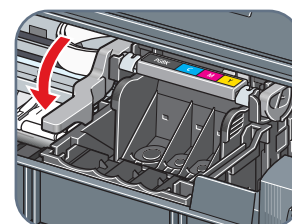
3 Firmly raise the Print Head Lock Lever until it stops.



4 Insert the Print Head.



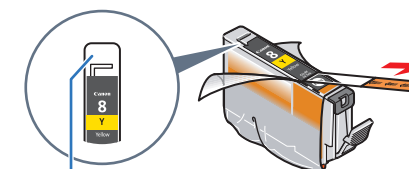
5 Lower the Print Head Lock Lever carefully.



Important
If the Top Cover is left open for more than 10 minutes, the Print Head Holder moves to the right. Close and reopen the Top Cover to return the Holder to the center.

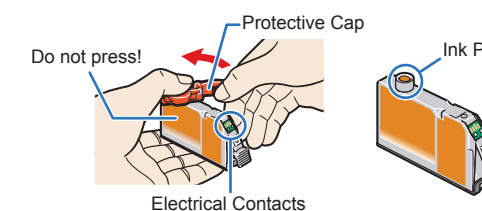
3 Install the Ink Tanks

1 Peel back the orange tab completely and remove the plastic wrapper from the ink tank.



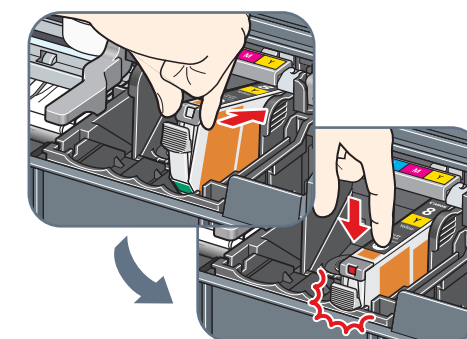
If the orange-colored protective film is not removed completely, problems with printing may occur.

2 Twist off and discard the orange protective cap located on the bottom of the ink tank.



Important
Do not touch the electrical contacts.
Do not touch the ink port.

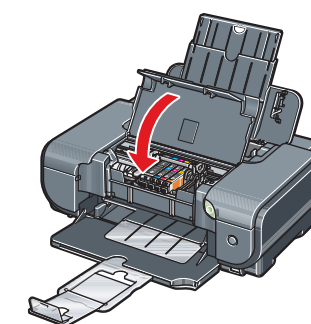
3 Insert the ink tank into the right-hand slot and press the **OK** mark on the ink tank until it clicks into place.



4 Make sure the ink lamp lights red.



5 Close the Top Cover.



Important
The printer starts operating. Wait about 2 minutes until the printer stops making noise.
When printing for the first or second time after setup, the printer will take a minute or two before it becomes ready to print.

Note
If the **ALARM** lamp on the printer flashes orange after you have closed the Top Cover, refer to "ALARM Lamp Flashes Orange" in "Troubleshooting" of the Quick Start Guide.

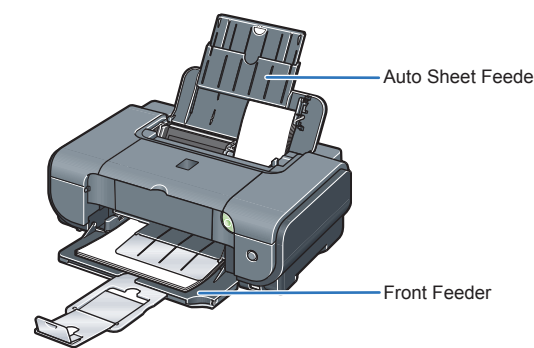
Hardware setup is complete.



Loading Paper

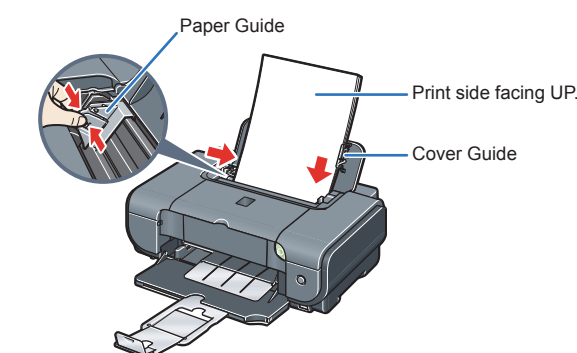
This printer offers two paper sources to load printing paper; the Auto Sheet Feeder, found at the top of the printer, and the Front Feeder, found at the front of the printer.

Note
At purchase, the printer is set to feed from the Auto Sheet Feeder. For details on how to change the paper source, refer to "Basic Printing" of the Quick Start Guide.
You can load A4, Letter, or B5-sized plain paper in the Front Feeder. When using any other type of paper, load it in the Auto Sheet Feeder.



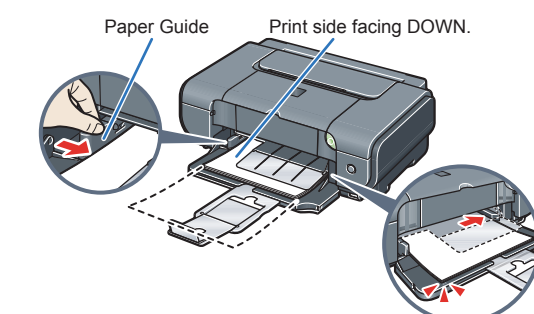
Loading Paper in the Auto Sheet Feeder

- 1 Load the paper in the Auto Sheet Feeder with the print side facing UP.
- 2 Align the paper stack against the Cover Guide on the right side of the Paper Support.
- 3 Pinch the Paper Guide and slide it against the left side of the paper stack.



Loading Paper in the Front Feeder

- 1 Load the paper in the Front Feeder with the print side facing DOWN and the leading edge to the far side.
- 2 Align the right edge of the paper stack against the inner face of the Front Feeder, and the near and left edges with the Paper Size Mark.
- 3 Pinch the Paper Guide and slide it against the left side of the loaded paper stack.



Note
For details, refer to the Quick Start Guide.

Windows® Printer Driver Installation

Windows

Note

- The screens below refer to Windows XP Service Pack 2 installation. Screens may vary depending on the operating system you are using.
- For Windows XP or Windows 2000, log on to Windows as a member of the Administrators group before continuing.
- Before installing the driver, disable all anti-virus programs and automatically loading programs.

1 Turn off the printer.

- Press the **POWER** button.
- Make sure that the **POWER** lamp stops flashing.

2 Turn the computer on and start Windows.

Important

If you see the **Found New Hardware Wizard**, remove the USB cable. Click **Cancel** to quit the screen. Next, turn off the printer. Then proceed from step 3 to install the printer driver.



3 Insert the Setup CD-ROM. The setup program should run automatically.

Note

The setup program should run automatically. If the installer in the CD-ROM does not run automatically, click **Start** and select **My Computer**, then double-click the **CD-ROM** icon. In non-XP Windows, open the **My Computer** window and then double-click the **CD-ROM** icon.

4 When the main menu appears, click **Easy Install**.



Note

- Select **Easy Install** in order to install the printer driver, on-screen manuals, and application software. Select **Custom Install** in order to choose the options you would like to install.
- To install PhotoRecord and Adobe® RGB (1998), click **Custom Install** and follow the on-screen instructions. If you are using Windows Me/98, Adobe RGB cannot be installed.

5 When the list of applications to install appears, confirm the contents, click **Install**.

Note

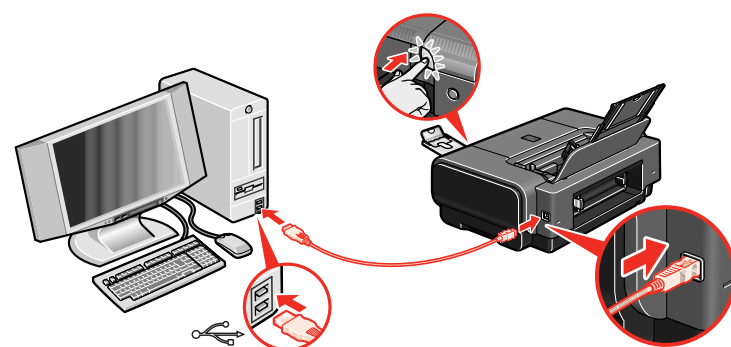
Move the cursor over items to display explanations of each application below.

6 Read the License Agreement carefully and click **Yes**. Follow the on-screen instructions to install the software. If a message asking for your confirmation to restart your computer appears, click **OK**.

7 When the **Printer Connection** screen appears, connect the printer with a USB cable, then turn the printer on. The software will begin identifying the printer port being used.

Important

If you cannot go to the next procedure after 2 minutes, refer to "Troubleshooting" instructions in the *User's Guide* on-screen manual.



8 When the **Print Head Alignment Recommended** screen appears, click **Next**.

9 When the **Installation Results** screen appears, click **Next**.

10 Follow the on-screen instructions to register your product.

Note

When the **User Registration** screen appears, follow on-screen instructions to register your product. You will need your product serial number, which is located on the inside of the printer. See Step 1-5 on the front page.

11 When the **Installation completed successfully** screen appears, click **Exit**.



If **Restart** is displayed, make sure that the **Restart the system now (recommended)** check box is selected, then click **Restart**.

Now you have completed installation of the software.

Macintosh® Printer Driver Installation

Macintosh

Important

Since Mac® OS 9, Mac OS X Classic environments, or Mac OS X v.10.2.7 or earlier are not supported, do not connect the printer to these.

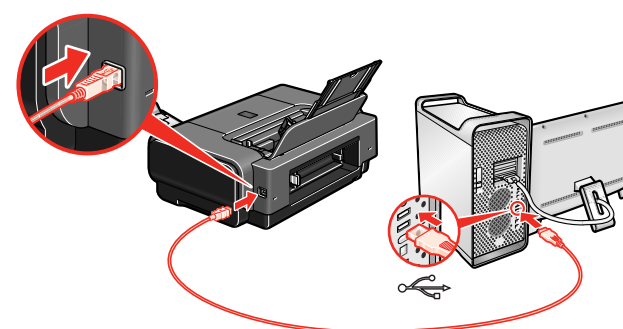
Note

- Use Mac OS X v.10.2.8 to 10.4.x.
- The screens below refer to Mac OS X v.10.4.x installation. Screens may vary depending on the operating system you are using.
- Log on as an Administrator before continuing.
- Before installing the driver, disable all anti-virus programs and automatically loading programs.

1 Connect one end of the USB cable to the computer, the other to the printer.

Note

Make sure the printer is turned on.



2 Turn on your Mac.

3 Insert the Setup CD-ROM.

Note

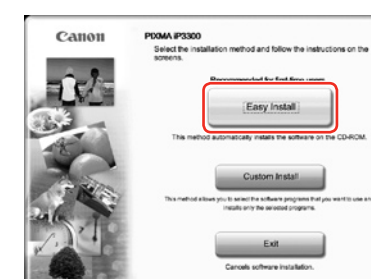
If the **CD-ROM** folder does not open automatically, double-click the **CD-ROM** icon on the desktop.

4 Double-click the **Setup** icon.

5 When the **Authenticate** screen appears, enter your administrator name and password. Click **OK**. If you do not know your administrator name or password, click **?**, then follow the on-screen instructions.



6 When the main menu appears, click **Easy Install**.



Note

Select **Easy Install** in order to install the printer driver, on-screen manuals, and application software. Select **Custom Install** in order to choose the options you would like to install.

7 When the list of applications to install appears, confirm the contents, then click **Install**.

Note

Move the cursor over items to display explanations of each application below.

8 Read the License Agreement carefully and click **Yes**. Follow the on-screen instructions to install the software.

9 Follow the on-screen instructions to register your product.

Note

When the **User Registration** screen appears, follow on-screen instructions to register your product. You will need your product serial number, which is located on the inside of the printer. See Step 1-5 on the front page.

10 When the **Installation completed successfully** screen appears, click **Restart**.



The system is restarted automatically.

11 After restarting the computer, start **Printer Setup Utility** (start **Print Center** if you are using Mac OS X v.10.2.8) and then check that the printer name you want to use is shown in **Printer List**. If the printer name is not displayed, click **Add** to add the device.

For more detailed instructions, refer to the Mac on-screen Help.

Note

Restarting the computer while connected to the printer may cause the printer not to be detected. To resolve this, either unplug the USB cable then plug it back in again, or turn the printer off then back on again.

Now you have completed installation of the software.